

DESCRIPTION

The MT7830A is a high-PF, non-isolate LED Driver IC. The floating-ground, high-side BUCK topology makes full wave detection possible. The MT7830A works in QRM mode, which improves both of efficiency and EMI performance. Selectable maximum period control is integrated, such that flick can be eliminated while enough demagnetization time is guaranteed.

Various protections such as OVP, OCP, OTP, etc, are embedded to improve reliability.

The driving capability of the MT7830A is designed to be insensitive to VDD voltage and soft, with MAXIC proprietary technique. It can help to improve EMI performance greatly.

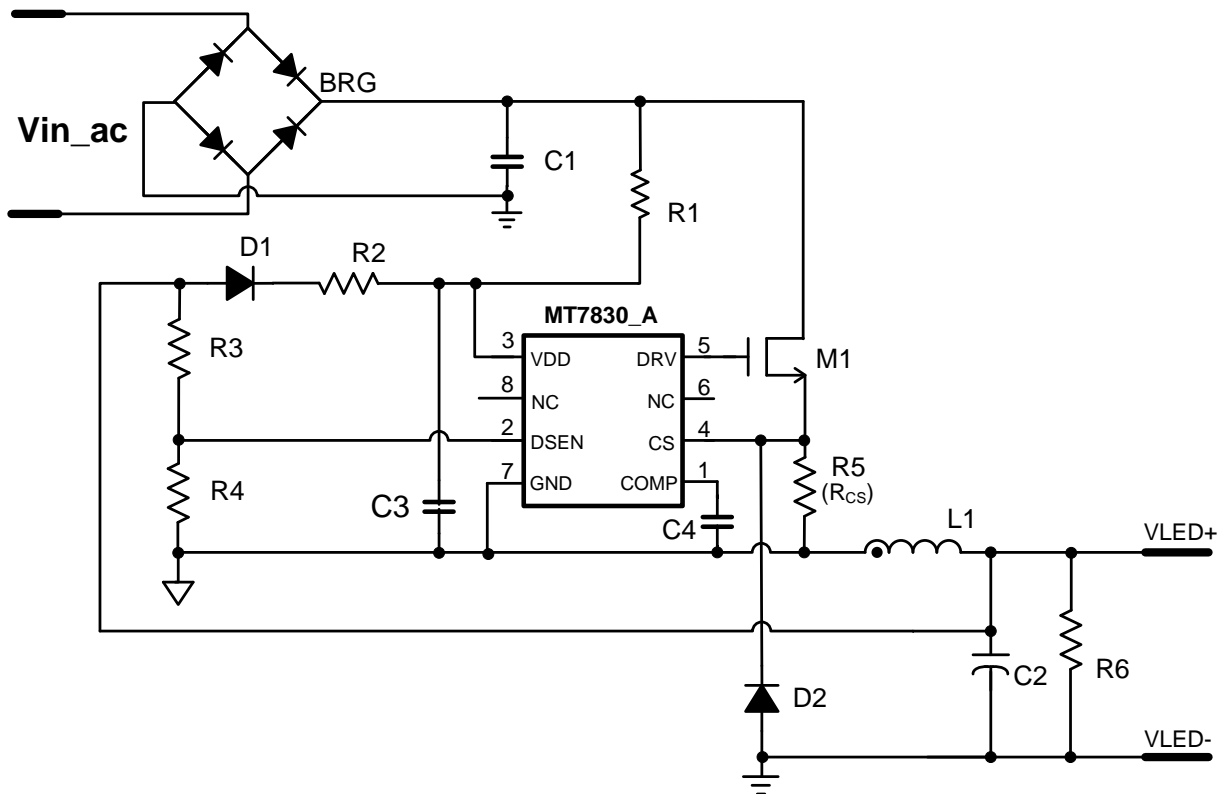
FEATURES

- Single-stage active power factor correction (PFC > 0.90)
- High accurate LED current ($\pm 3\%$)
- Good Line and Load Regulation ($\pm 2\%$)
- Quasi-Resonant mode (QRM) operation
- Various protection schemes.
- Power-on soft-start
- Compact package: SOP8

APPLICATIONS

- E27/PAR30/PAR38/GU10 lamp
- T8/T10 LED tube
- Other LED lighting applications

Typical Application Circuit



ABSOLUTE MAXIMUM RATINGS

VDD Pin Voltage	-0.3V to VDD Clamp
COMP/CS/DSEN Pin Voltage	-0.3V to 6V
Lead Temperature (soldering, 10 sec.)	260°C
P _{DMAX} (maximum power consumption)	0.8W
Storage Temperature	-55°C to 150°C

Recommended operating conditions

Supply voltage	9V to 24V
Operating Temperature (Environment)	-40°C to 105°C

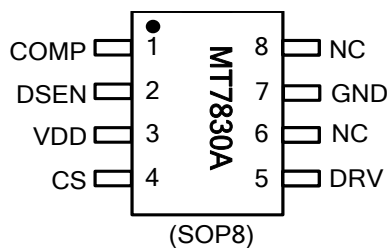
Thermal resistance^①

Junction to ambient (R _{θJA})	128°C/W
---	---------

Note:

- ① R_{θJA} is measured in the natural convection at TA = 25°C on a low effective single layer thermal conductivity test board of JEDEC 51-3 thermal measurement standard. Test condition: Device mounted on 2" X 2" FR-4 substrate PCB, 2oz copper, with minimum recommended pad on top layer and thermal vias to bottom layer ground plane.

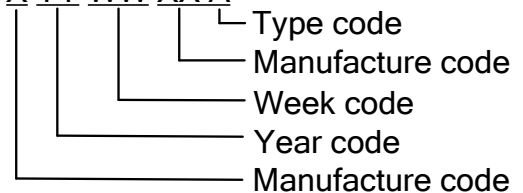
PIN CONFIGURATIONS



Chip Mark

MT7830

X YY WW XX A



PIN DESCRIPTION

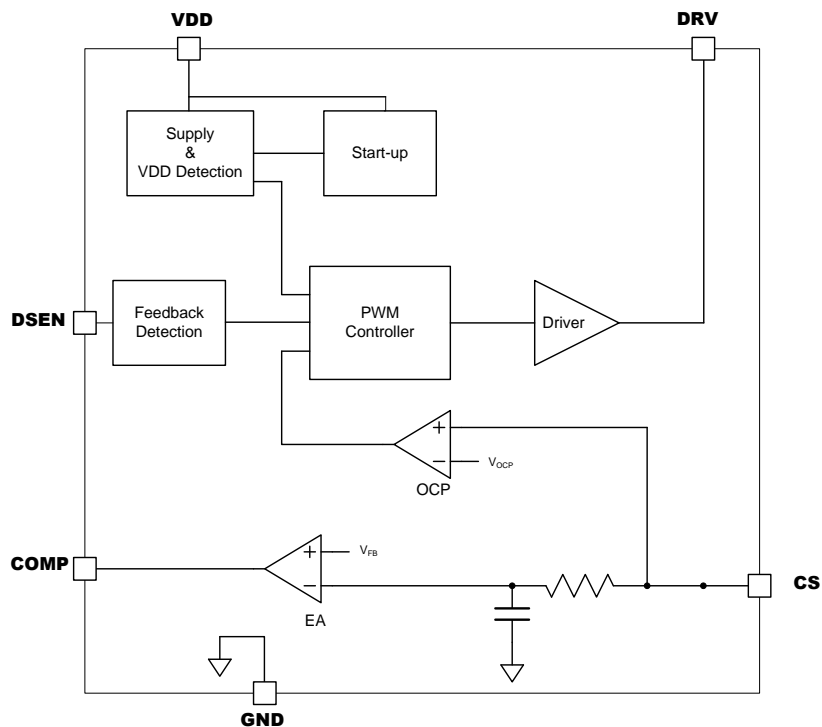
Name	Pin No.	Description
COMP	1	Internal EA's output pin. Connect a capacitor to ground for frequency compensation.
DSEN	2	Feedback pin for inductor zero current crossing detection.
VDD	3	Power Supply pin.
CS	4	Current Sense pin.
DRV	5	External MOSFET drive pin
NC	6,8	No connection pin.
GND	7	Ground pin.

ELECTRICAL CHARACTERISTICS

(Test conditions: VDD=15V, TA=25°C unless otherwise stated.)

Symbol	Parameter	Conditions	Min	Typ	Max	Unit
Start-up (VDD Pin)						
V _{STP}	Start-up Voltage	VDD Ramp-up from 0V		18		V
UVLO	Under Voltage Lockout	VDD Ramp-down from (V _{STP} +1V)		9		V
I _{STP}	Start-up Current	VDD=16V		25		μA
OVP1	Over Voltage Protection of VDD			28		V
I _{CLAMP}	Sinking Current Capability to Clamp VDD			5		mA
Power Supply Current						
I _Q	Quiescent Current			1.0		mA
Control Loop (DSEN Pin)						
V _{REF-FB}	Voltage Reference for Feedback Loop	Close the Feedback Loop	196	200	204	mV
SCP	Threshold of Short Circuit Protection at DSEN Pin			400		mV
OVP2	Over Voltage Protection of DSEN Pin			3.2		V
LEB1	Leading Edge Blank for DSEN Pin			2		us
MinT	Minimum Switching Period			10		us
Current Sense (CS Pin)						
OCP	Threshold of Over Current Protection at CS Pin			1.4		V
LEB2	Leading Edge Blank for CS Pin			300		ns
Thermal Protection						
OTP	Over Temperature Protection			155		°C
Hys. _{OTP}	Hysteresis of OTP			15		°C
MOSFET drive (DRV Pin)						
T _{ON_MAX}	Maximum ON time			24		us
T _{ON_MIN}	Minimum ON time			300		ns
T _{OFF_MAX}	Maximum OFF time			75		us
I _{SOURCE}	Driver Max. Source current			200		mA
I _{SINK}	Driver Max. Sink current			400		mA

BLOCK DIAGRAM



APPLICATION INFORMATION

The MT7830A integrates power factor correction function and works in Quasi-Resonant Mode (QRM). The LED current can be accurately regulated through sensing the inductor current signal.

Averaged Current Control

The MT7830A accurately regulates LED current through sensing the inductor current signal. The LED current can be easily set by:

$$I_{LED} = \frac{V_{FB}}{R_{CS}}$$

Where V_{FB} (=200mV) is the internal reference voltage and R_{CS} is an external current sensing resistor (R_{CS} is the R5 in circuit in page1).

Start Up

During start-up, the capacitor at VDD is charged through the resistor which is connected to main

line voltage. The internal control logic starts to work when VDD reaches 18V. The COMP pin is, therefore, pre-charged during this process. The internal control loop is established. Once the voltage of COMP reaches 1.4V, the whole system works in normal operation mode.

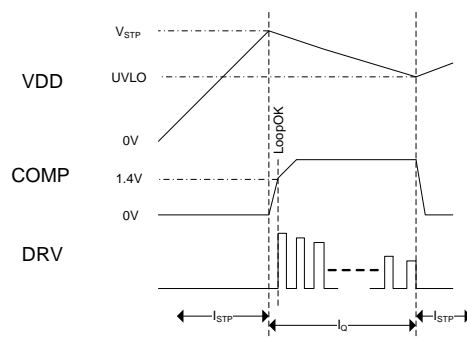


Fig.1 Start up sequence

As the VDD goes below 9V, the system is considered to be UVLO, the PWM signal of DRV goes low, and the voltage of COMP is discharged to 0V. The detailed start-up sequence is shown in Fig. 1.

Auxiliary Sensing

The voltage waveform of the inductor is sensed during PWM OFF period for switching logic control, short-circuit protection (SCP).

The DSEN senses the inductor voltage through a resistor divider. The sampling strobe window is 2us LEB (Leading Edge Blanking) time right after the DRV signal is low for better noise immunity as shown in Fig. 2.

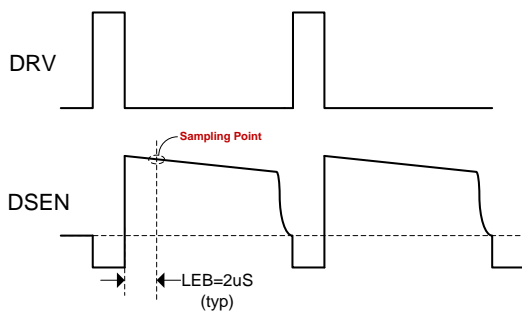


Fig.2 Auxiliary Signal Sensing

Hiccup Mode

Any detected fault conditions, such as, over-voltage (OV), short-circuit (SC) conditions, will force MT7830A into hiccup mode, and PWM signal goes low. VDD is therefore discharged by the MT7830A itself. Then VDD continues to drop below UVLO threshold. A start-up sequence is initiated. If the fault conditions are removed, the LED driver goes back to normal.

The hiccup mode keeps the system at low power dissipation state during fault conditions, enhancing system reliability.

Over-voltage Protection

The MT7830A is implemented with two over-voltage protection schemes:

(1) If the DSEN voltage exceeds 3.2V three times in 1ms during PWM OFF period (Refer to “Auxiliary Sensing”), the MT7830A gets in Hiccup

mode to protect the system and lower the power consumption. The threshold of Over Voltage Protection for LED can be set as following (refer to the application circuit in page 1):

$$V_{OUT_OV} = 3.2 * \left(1 + \frac{R3}{R4}\right);$$

If VDD is powered by auxiliary winding (refer to Fig 3.), the threshold of Over Voltage Protection for LED can be set as following:

$$V_{OUT_OV} = 3.2 * \left(1 + \frac{R3}{R4}\right) * \frac{N_p}{N_a}$$

Where Np is the turns of primary winding, Na is the turns of auxiliary winding.

(2) If VDD exceeds 28V three times, OVP is triggered and so the MT7830A gets in Hiccup mode. It is highly recommended to set up the VDD voltage between 11V and 24V.

Short-circuit Protection

The short-circuit protection is triggered if the DSEN voltage is detected below 400mV during OFF period for a continuous time of 5 to 10ms. The MT7830A gets into hiccup mode.

Over-current Protection

The MT7830A immediately turns off the power MOSFET once the voltage at CS pin exceeds 1.4V. This cycle by cycle current limitation scheme prevents the relevant components, such as power MOSFET, inductor, etc. from damage.

Powered by Transformer auxiliary winding

MT7830A can also powered by transformer auxiliary winding to further reduce the system power dissipation. Refer to Fig.3. VDD voltage and DSEN feedback detection can be more accurate by this way.

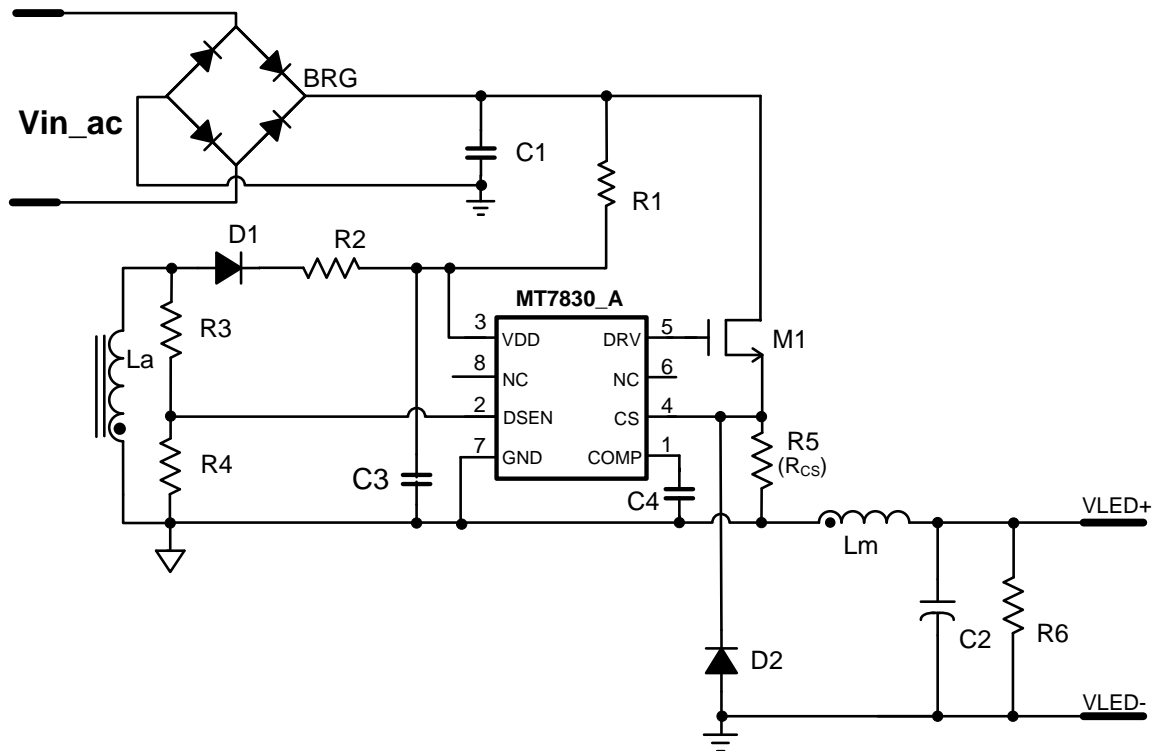
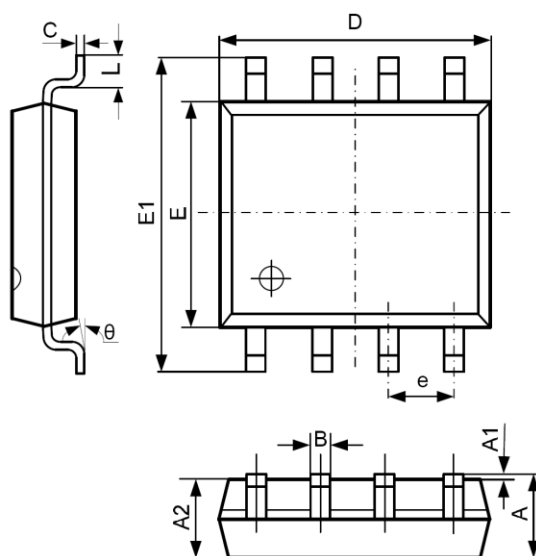


Fig.3 Transformer auxiliary winding to power the VDD

PACKAGE INFORMATION

SOP-8 PACKAGE OUTLINE AND DIMENSIONS



SYMBOL	DIMENSION IN MILLIMETERS		DIMENSION IN INCHES	
	MIN	MAX	MIN	MAX
A	1.350	1.750	0.053	0.069
A1	0.100	0.250	0.004	0.010
A2	1.350	1.550	0.053	0.061
B	0.330	0.510	0.013	0.020
C	0.190	0.250	0.007	0.010
D	4.700	5.100	0.185	0.201
E	3.800	4.000	0.150	0.157
E1	5.800	6.300	0.228	0.248
e	1.270 TYP		0.050 TYP	
L	0.400	1.270	0.016	0.050
θ	0°	8°	0°	8°

Important Notice

- Maxic Technology Corporation (Maxic) reserve the right to make correction, modifications, enhancements, improvements and other changes to its products and services at any time and to discontinue any product or service without notice. Customers should obtain the latest relevant information before placing orders and should verify that such information is current and complete. All products are sold subject to Maxic's terms and conditions of sale supplied at the time of order acknowledgement.
- Reproduction, copying, transferring, reprinting this paper without Maxic's written permission is prohibited.
- Maxic assumes no liability for applications assistance or the design of customers' products. Maxic warrants the performance of its products to the specifications applicable at the time of sale. Customers are responsible for their products and applications using Maxic components. To minimize the risks associated with customers' products and applications, customers should provide adequate design and operating safeguards.